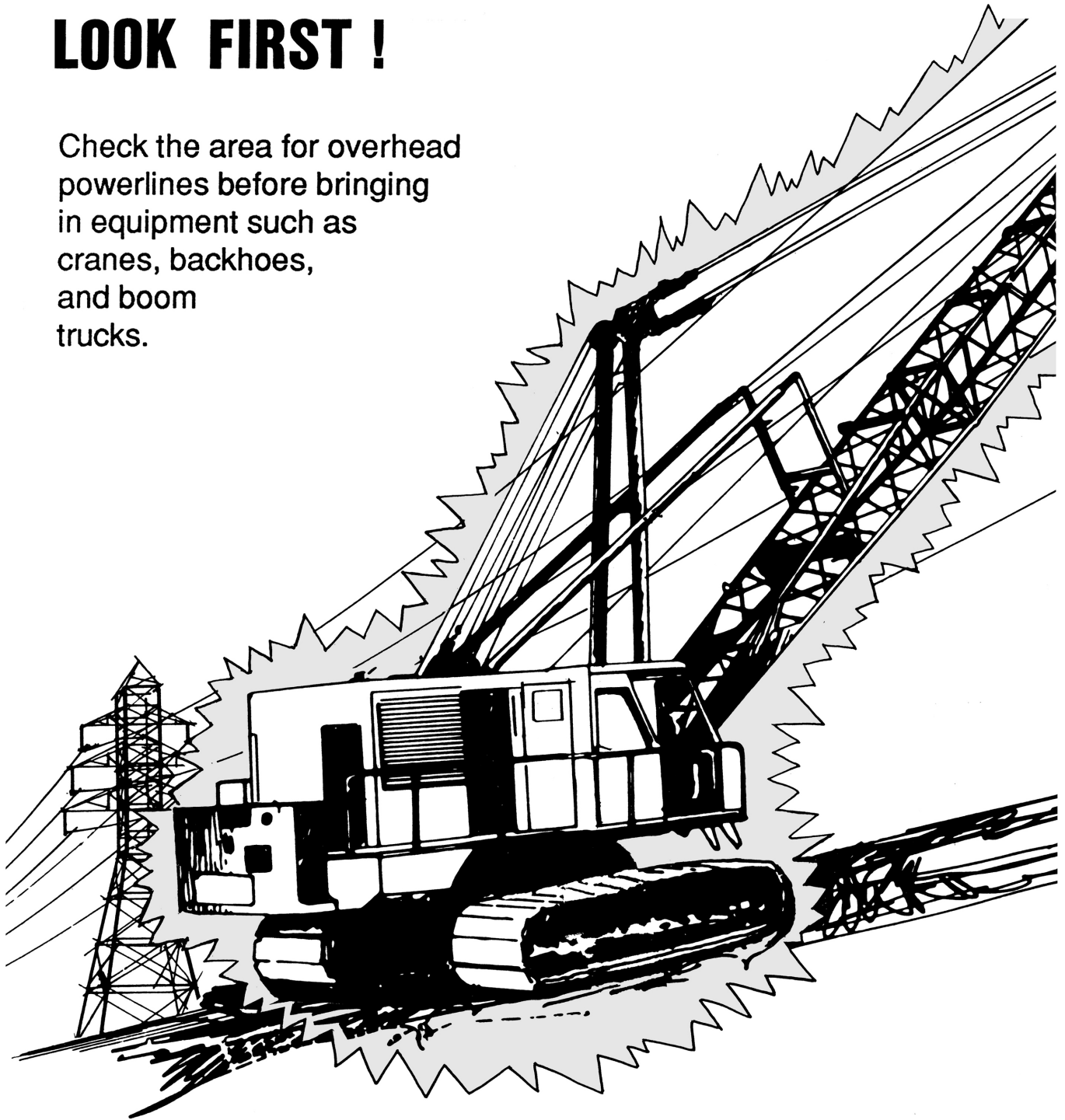


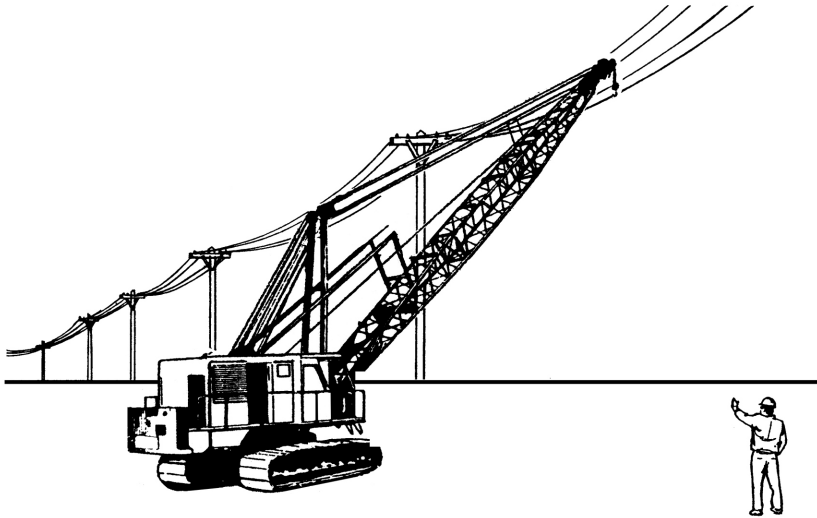
Safety Tips

LOOK FIRST !

Check the area for overhead powerlines before bringing in equipment such as cranes, backhoes, and boom trucks.

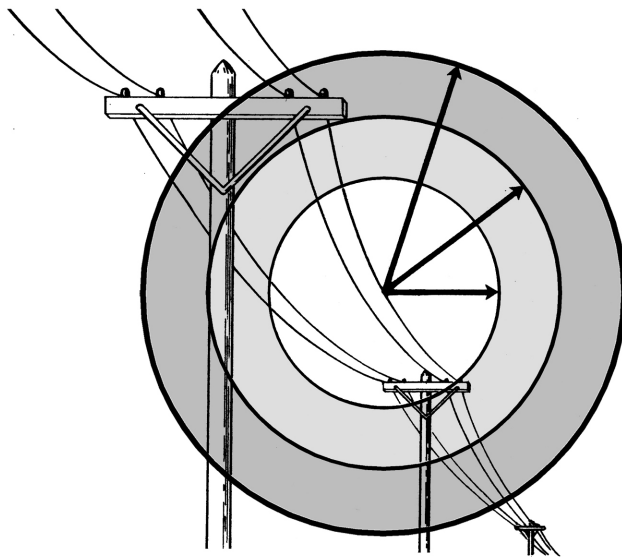


Construction Safety Association of Ontario



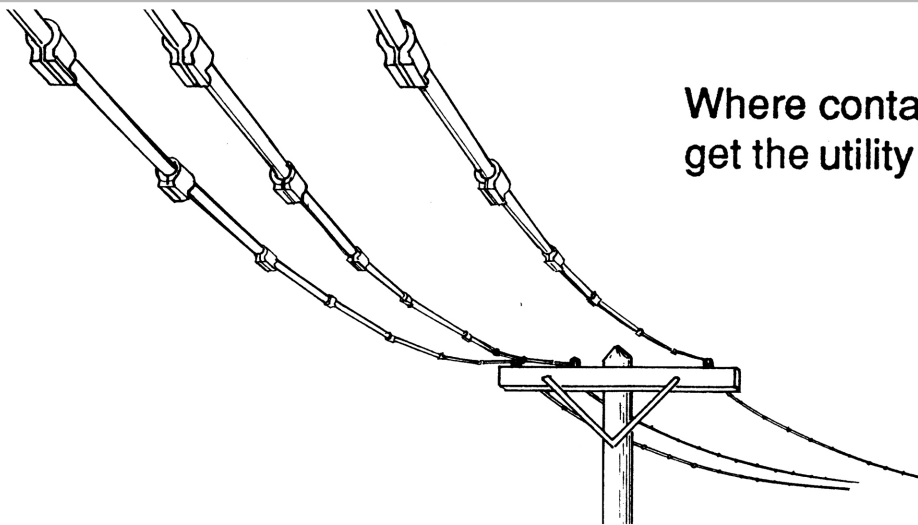
Use a signaller if equipment or its load is closer than one boom length to overhead powerlines.

Maintain the minimum distance from powerlines:



Voltage Minimum Distance

750 volts to 150,000 volts	3 metres (10')	<input type="checkbox"/>
150,001 volts to 250,000 volts	4.5 metres (15')	<input type="checkbox"/>
over 250,000 volts	6 metres (20')	<input type="checkbox"/>



Where contact is a danger, get the utility to insulate the lines.



Construction Safety Association of Ontario
 21 Voyager Court South, Etobicoke, Ontario M9W 5M7
 (416) 674-2726 1-800-781-2726 FAX: (416) 674-8866
 www.csaao.org info@csao.org